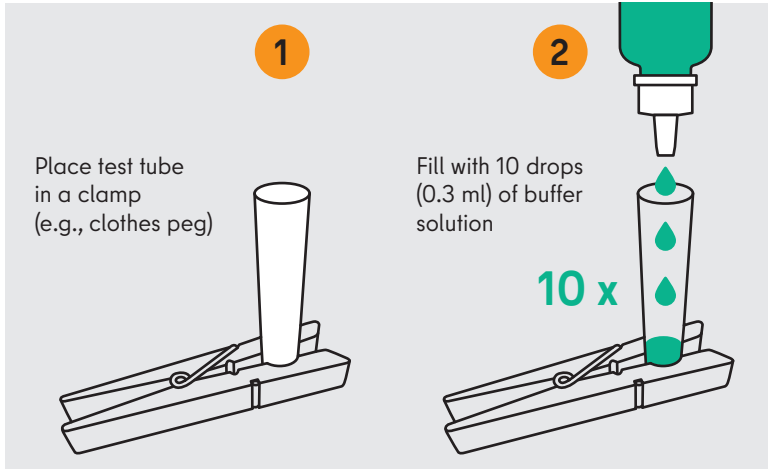


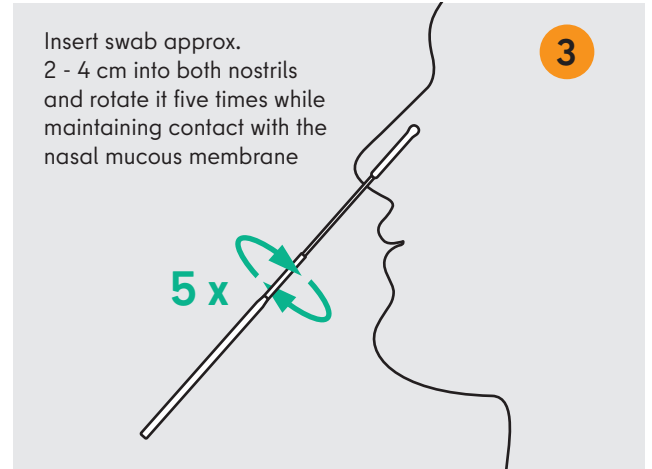
QUICK REFERENCE GUIDE FOR THE SELF-TEST

Product: **CLINITEST® Rapid COVID-19 Antigen Test**
 Manufacturer: **Siemens Healthineers**

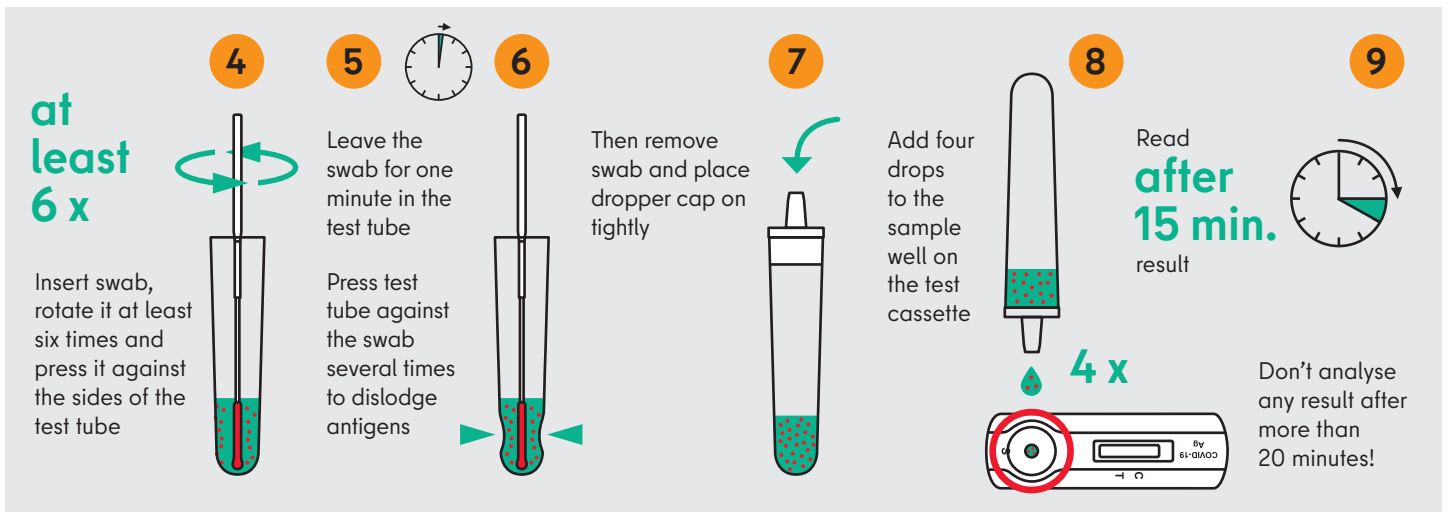
First steps



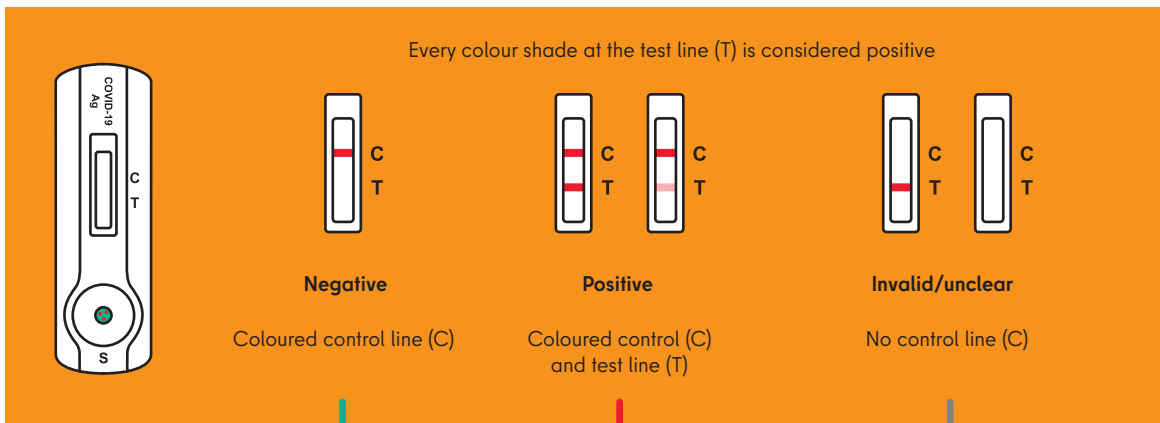
Sampling (at room temperature)



Treatment of the sample



Analysis of the results



Disposal



Pupils and school and daycare staff can go to school/daycare centre

- Parents report child as sick to the school or school or daycare staff call in sick
- Pupils and school and daycare staff have PCR follow-up testing performed at one of the central test centres

Repeat test with new material